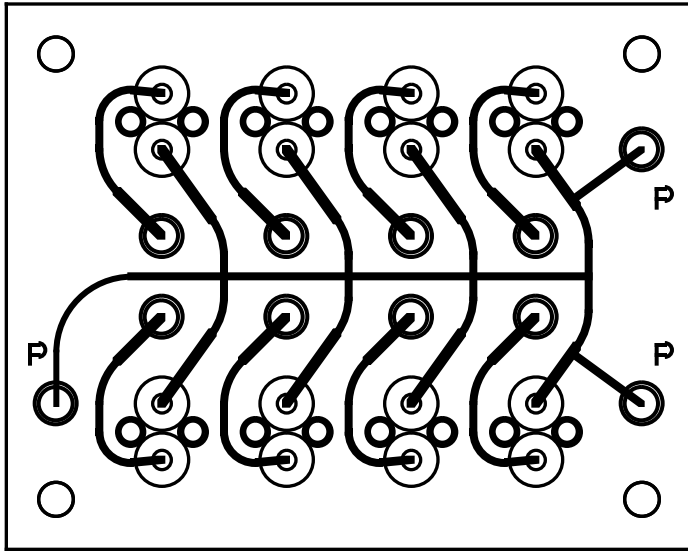
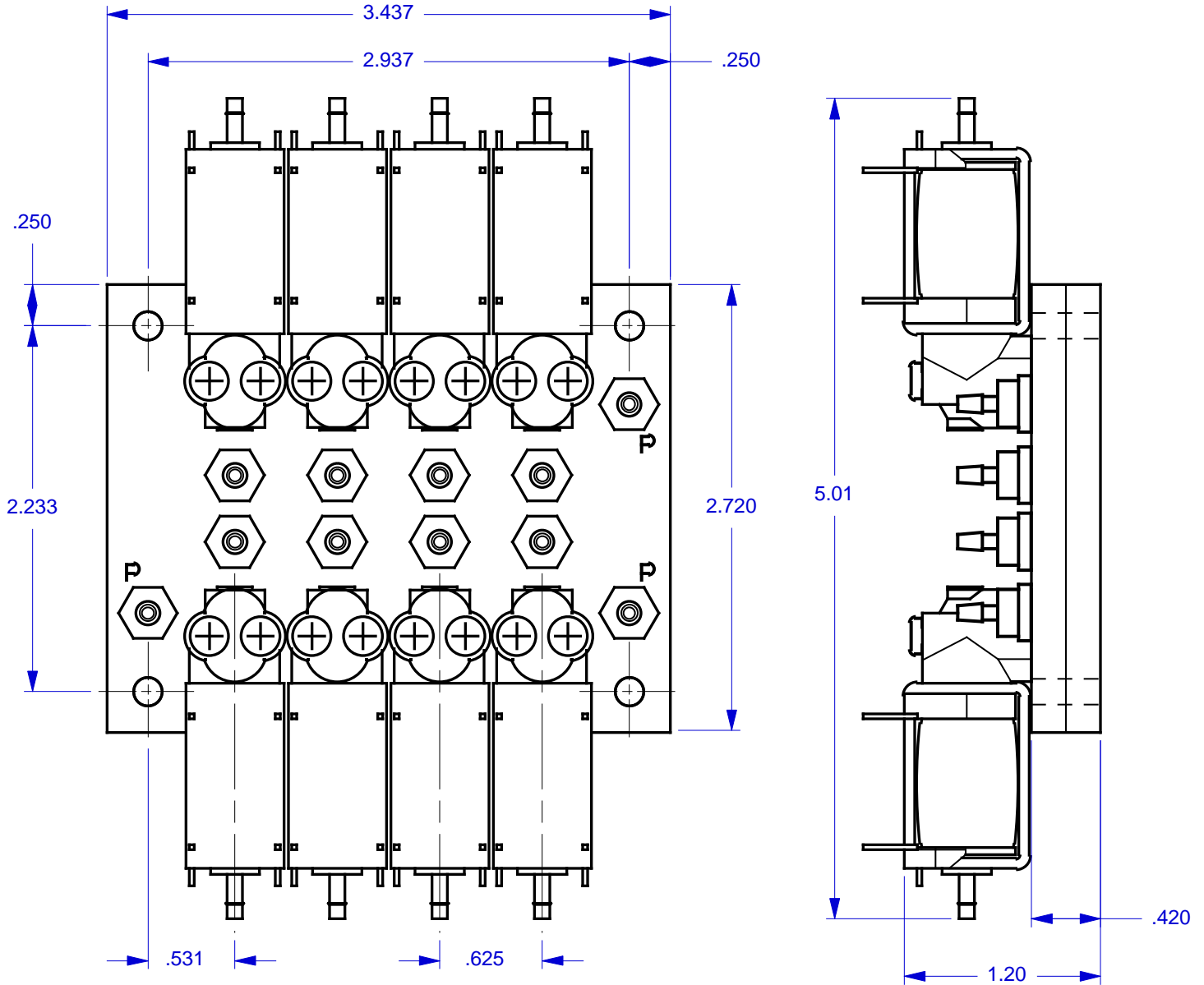


MODEL: NUM/RB100-DBL-XX-TOP-#10
 WHERE "XX" DESIGNATES THE NUMBER OF VALVE STATIONS

REVISION CHANGE			
REV	CN #	DESCRIPTION	DATE
X1	N/A	DRAWN	07 FEB 00



MODEL FEATURES:

- MOUNTS 2 EQUAL ROWS OF VALVES AND OFFERS GREATER ECONOMY, CONNECTIVITY AND CONVENIENCE.
- ACCOMMODATES NUMATECH™ RB100 SERIES VALVES.
- SPECIFY FROM 4 (2 PER ROW) TO 24 (12 PER ROW) VALVES. USING EVEN NUMBERS. ADD OR SUB-TRACT .625" (15.87 MM) OF MANIFOLD LENGTH PER VALVE PAIR.
- TOP PORTED FOR EASY ACCESS AND MINIMUM REQUIRED SPACE.
- MULTIPLE (3) "P" PORTS PROVIDE FOR DAISY CHAINING OR SUPPLY PRESSURE DISTRIBUTION.
- INTERNAL CHANNELS ARE .078" DIAMETER, BRILLIANTLY POLISHED AND WITHSTAND PRESSURE OVER 125 P.S.I.

NOTES:

1. MANIFOLDS ARE SUPPLIED WITHOUT ANY HARDWARE OR VALVES. THE COMPONENTS SHOWN ARE FOR ILLUSTRATION PURPOSES ONLY.
2. ALL PORTS ARE THREADED #10-32 UNF - 2B. M5.0 THREADS ARE AVAILABLE ON SPECIAL REQUEST.
3. MOUNTING HOLES ARE .156 DIAMETER FOR #6 SCREWS. USE OF .375 DIAMETER X .040 THICK (MIN) NYLON WASHERS UNDER THE MOUNTING SCREW HEADS ARE HIGHLY RECOMMENDED.
4. MANIFOLD MATERIAL IS POLISHED ACRYLIC. CLEAR (BLuish TINT) P.V.C. IS ALSO AVAILABLE ON SPECIAL ORDER AT INCREASED PRICE.
5. SPECIFICATIONS SUBJECT TO CHANGE WITHOUT NOTICE.

THIS DRAWING AND / OR SPECIFICATION IS THE PROPERTY OF MICROADVANCES, IS ISSUED IN STRICT CONFIDENCE, AND SHALL NOT BE REPRODUCED, COPIED, OR USED AS THE BASIS FOR THE MANUFACTURE OR SALE OF APPARATUS OR COMPONENT PARTS THEREOF WITHOUT PRIOR WRITTEN PERMISSION.

MicroAdvances	
6073 N.W. 167th STREET, BLDG. C-21 MIAMI, FL. USA 33015 • (305) 556-4801	
NAME: NUM/RB100-DBL-08-TOP-#10	REV: A
PART/DWG NO: 600281	ASSEMBLY: N/A
DWN BY: J.W.	DATE: 07 FEB 00
DESIGNED BY: XX	REF: NUM/RB100
<small>NUMATECH, INC., Wixom, MI 48393</small>	
SCALE: 1 : 1 @ 7.9 X 13.3 SHEET: 1 OF 1	